

S80R / S80RK / S80U / S80UK

OPERATING MANUAL

Bulb Revolving Warning Light

Thank you for purchasing Q.Light product.
Please read this manual carefully before installing this system for safe and long use of the product.

1 Product Feature

- Ensuring high revolving durability by applying a small bearing to the revolving axis.
- Employing a special power transmission system with no noise and wear (Patent : 0399598).
- Option : Buzzer Applicable(S80R,S80U), Volume : 90dB/1m
- RPM : 120-140
- Material : Lens-AS, Body-ABS, Reflector-Heat Resisting ABS
- Protection Class : IP23 (S80R,S80U), IP44 (S80RK,S80UK)

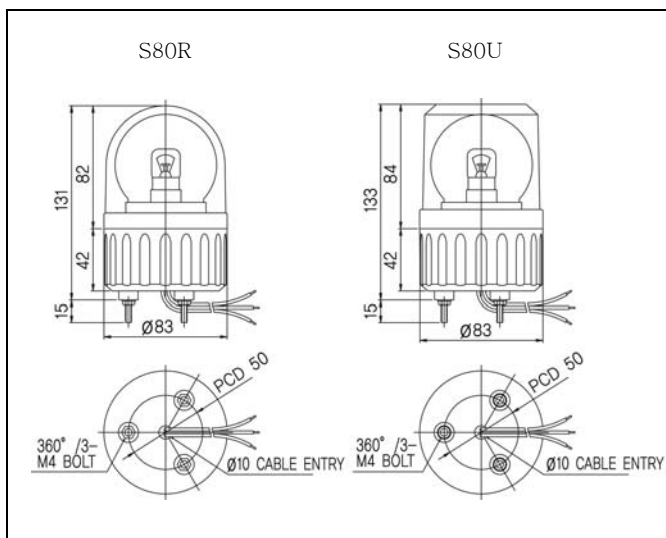
2 Specification & External View Drawing

1) S80R/S80U

General Specification

Model	Rated Voltage	Current	Bulb		Weight	Color
S80R S80U	DC12V	0.540A	12V 5W	T16x35 15S	5	0.33Kg Red-R Amber-A
	DC24V	0.310A	24V 5W	T16x35 15S	6	
	AC110V	0.081A	12V 5W	T16x35 15S	5	0.51Kg Green-G Blue-B
	AC220V	0.039A	12V 5W	T16x35 15S	5	

External View Drawing

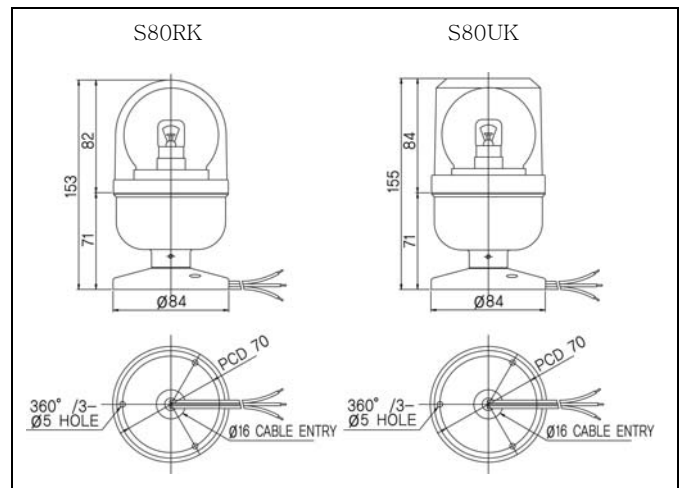


2) S80RK/S80UK

General Specification

Model	Rated Voltage	Current	Bulb		Weight	Color
S80RK S80UK	DC12V	0.540A	12V5W	T16x35 15S	5	0.46Kg Red-R Amber-A
	DC24V	0.310A	24V5W	T16x35 15S	6	
	AC110V	0.081A	12V5W	T16x35 15S	5	0.64Kg Green-G Blue-B
	AC220V	0.039A	12V5W	T16x35 15S	5	

External View Drawing

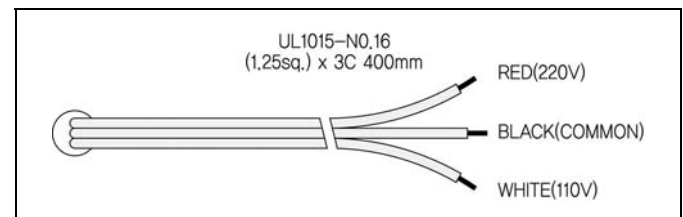


3 Wiring Instruction

1) Product Using AC Voltage

- AC110V Type : Wire Black Line-White Line
- AC220V Type : Wire Black Line-Red Line

Power line UL1015-NO.16(1.25sq) x 3C 400mm comes out from the product.



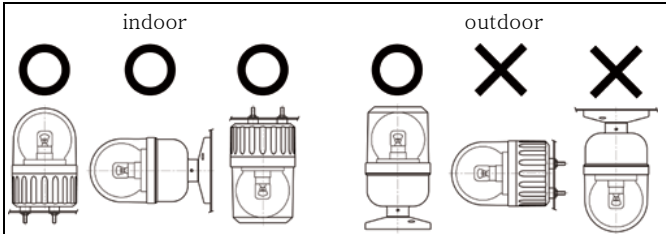
2) Product Using DC Voltage

- Black line is negative(-).

4 Mounting

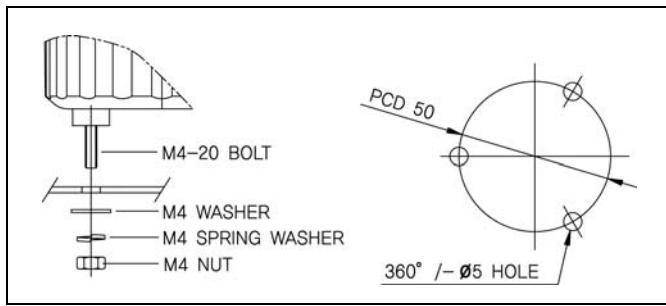
- This product was manufactured with the structure for indoor use. Installing in any direction is okay for indoor use.
- Outdoor use is limited at a place where no water or very little water percolates. Mounting also should be done only with vertical standing shape.

- Mount at the place where exists low vibration, low impact, low moisture and low dust as long as possible.
- Refer to below information and drill necessary mounting holes on proper part of the product.
(Make sure PCD from external view drawing.)



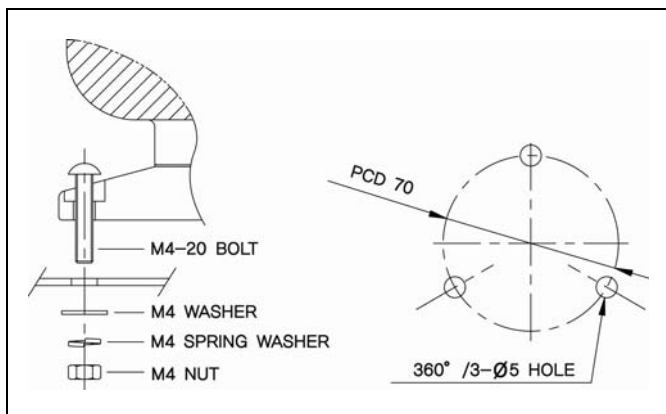
1) S80R / S80U

- Fix the product by using nuts(M4-3EA) originally equipped on mounting bolt on bottom of the product.



2) S80RK / S80UK

- Fix the product by using nuts(M4-3EA) originally equipped on mounting bolt on bottom of the product.



5 Bulb Change

1) Warning ! Turn off Power

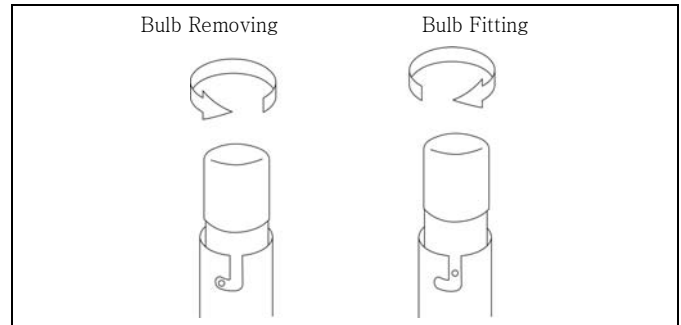
Must turn off power supply and change the bulb after at least 1 minute.

2) Lens Removal

Remove lens by turning it counterclockwise and make sure bulb and bulb socket on assembling board.

3) Bulb Change

- Make sure the rated voltage and wattage of new bulb. If the voltage of new bulb is higher than that of original bulb, the self-life of product can be reduced and can cause damage on lens and reflector. Therefore, please use same bulb as original one which has same rated voltage and wattage or lower one.
- Bulb Removal : Press slightly the bulb downward and turn it counterclockwise for removing.
- Bulb Fitting : Fit new bulb into the socket by pressing it clockwise.



6 Caution

- If using voltage is seriously higher or lower than rated voltage, it can reduce the self-life of the product or can cause a problem on product operating. Make sure the using voltage does not exceed +/- 5% of the rated voltage.
- If lens or body of the product is contaminated by chemicals such as thinner, benzene, the product can be damaged, discolored or deformed. Please be careful.
- Do not give strong impact to the product. It can be a reason of wire disconnection or short circuit.
- Do not strongly pull the wire out from the product. It can cause a disorder.

7 Troubleshooting

Situation	Main Cause	Solution
Non-Lighting	Wire Disconnection with Bulb	Wire Re-connection or Bulb Change
Feeble Lighting Low Revolving Speed	Supplying Voltage Lower than Rated Voltage	Making Sure Using Voltage
Short Self-Life of Bulb	Supplying Voltage Higher than Rated Voltage	Making Sure Using Voltage
Lens Deformation Caused by Bulb Overheating (AC Type)	The Voltage of Bulb is Higher than Rated Voltage	Changing Bulb with Rated Voltage
Non Revolving	Problem with Motor	Contact Q.Light or Their Agent
Neither Lighting Nor Revolving	Wrong Wiring	Making Sure Wiring
	No Power Supply	Making Sure Power Supply

— For A/S & Information on Product

Q-LIGHT CO., LTD.

<http://www.qlightkr.com>

E-mail : qlightkr@qlightkr.com

Seoul Office (Domestic Sales & A/S)

Tel) 02-2679-6152

Ansung BD A-312, 410-13 Sindorim-Dong, Guro-Gu, Seoul

Overseas Marketing Team / Plant

Tel) 055-328-4082 Fax) 055-328-4083

Plant #1 : 178-1 Woogye-Ri, Sangdong-Myun, Kimhae-Si,
KyungNam, Korea

Plant #2 : 417-1 Geumsa-Dong, Geumjung-Gu, Busan