

S50L

OPERATING MANUAL

LED Steady/Flashing Light

Thank you for purchasing Q.Light product.
Please read this manual carefully before installing this system for safe and long use of the product.

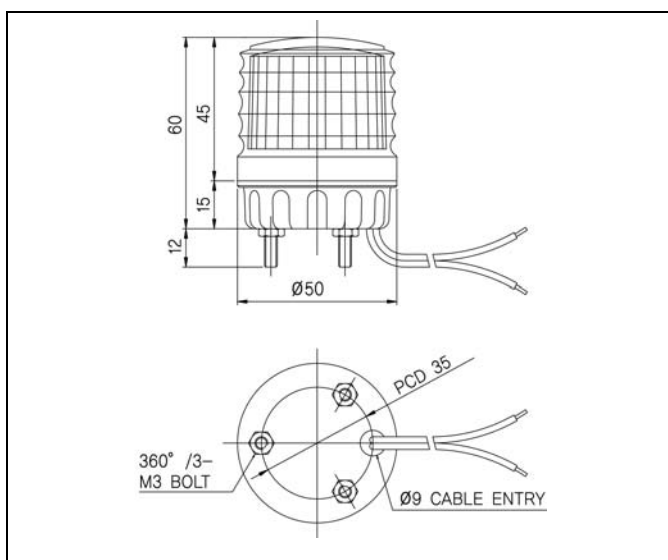
1 Product Feature

- Long self-life of light source by employing high-brightness LED and suitable for machines having lots of vibration and impact..
- Excellent in diffusing signal light by employing unique direct-diffusion system.
- Possible to select "steady light" or "flashing light" by using built-in steady/flashing selection switch according to the purpose of use.
- Material : Lens-AS, Body-ABS
- Flashes(Flashing Type) : 60-80/Min.
- Protection Class : IP23

2 Specification

Model	Rated Voltage	Current	Weight	Flashes	Color
S50L	DC12V	0.055A	0.07Kg	60-80/Min.	Red-R
	DC24V	0.075A	0.07Kg		Amber-A
	AC110V	0.039A	0.07Kg		Green-G
	AC220V	0.020A	0.07Kg		Blue-B

3 External View Drawing



4 Wiring

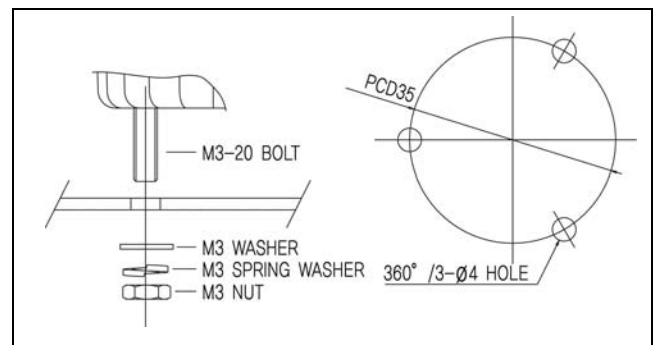
- Power line AVA 0.85sq x 2C 400mm comes out from the product.
- Black line is negative(-).

5 Mounting

- This product was manufactured with the structure for indoor use. Installing in any direction is okay for indoor use.
- Outdoor use is limited at a place where no water or very little water percolates. Mounting also should be done only with vertical standing shape.



- Mount at the place where exists low vibration, low impact, low moisture and low dust as long as possible.
- Refer to below information and drill necessary mounting holes on profitable part of the product. (Make sure PCD from external view drawing.)
- Fix the product by using nuts(M3-3EA) originally equipped on mounting bolt on bottom of the product.



6 Steady/Flashing Selection

This product has a built-in switch(1) for steady/flasing selection. Refer to following drawing and explanation for right operating.

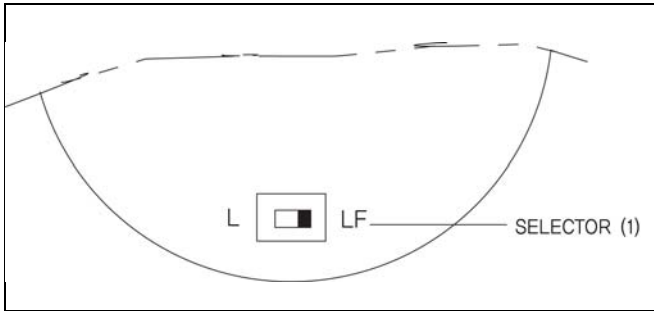
1) Lens Removal

Remove lens by turning it counterclockwise and make sure related parts on assembling board.

2) Selecting Steady/Flashing Type

Choose steady light or flashing light by using Steady/Flashing

selection switch(1). "L" mode of the switch is steady type and "LF" mode is flashing type.



3) Lens Assembling

Assemble the product in reverse order of separating.

7 Caution

- If using voltage is seriously higher or lower than rated voltage, it can reduce the self-life of the product or can cause a problem on product operating. Make sure the using voltage does not exceed +/- 5% of the rated voltage.
- If lens or body of the product is contaminated by chemicals such as thinner, benzene, the product can be damaged, discolored or deformed. Please be careful.
- Do not give strong impact to the product. It can be a reason of wire disconnection or short circuit.
- Do not strongly pull the wire out from the product. It can cause a disorder.

8 Troubleshooting

Situation	Main Cause	Solution
Non- Lighting Partly	LED is Partly Damaged Supplying Higher Voltage than Rated Voltage	Making Sure Using Voltage
Feeble Lighting	Supplying Voltage Lower Than Rated Voltage	Making Sure Using Voltage
Lighting but Non-Flashing	Wrong Operating L/LF Selection Switch	Convert L/LF Selection Switch
	Problem L/LF Selection Switch	Contact Q.Light or Their Agent
Neither Lighting nor Flashing	Wrong Wiring	Making Sure Wiring
	No Power Supply	Making Sure Power Supply

For A/S & Information on Product

Q-LIGHT CO., LTD.

<http://www.qlightkr.com>

E-mail : qlightkr@qlightkr.com

Seoul Office (Domestic Sales & A/S)

Tel) 02-2679-6152

Ansung BD A-312, 410-13 Sindorim-Dong, Guro-Gu, Seoul

Overseas Marketing Team / Plant

Tel) 055-328-4082 Fax) 055-328-4083

Plant #1 : 178-1 Woogye-Ri, Sangdong-Myun, Kimhae-Si, KyungNam, Korea

Plant #2 : 417-1 Geumsa-Dong, Geumjung-Gu, Busan