

## S80LR

### OPERATING MANUAL

### LED Revolving Warning Light

Thank you for purchasing Q.Light product.  
Please read this manual carefully before installing this system for safe and long use of the product.

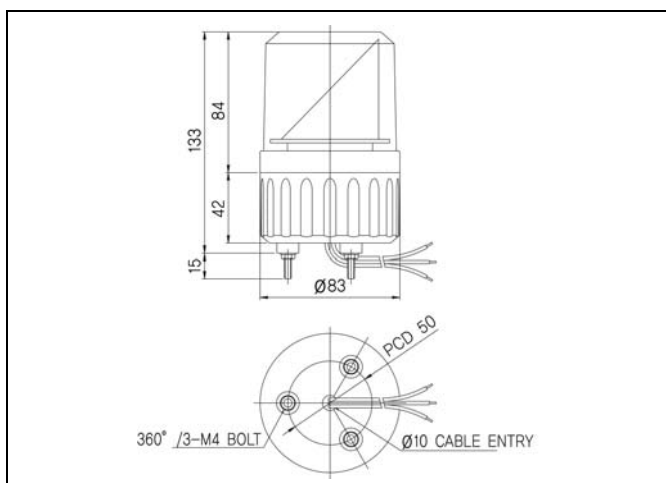
### 1 Product Feature

- Long self-life of light source by employing high-brightness LED. and suitable for machines having lots of vibration and impact..
- Long durability in the environment with lots of vibration and impact.
- Ensuring high revolving durability by applying a small bearing to the revolving axis.
- Excellent in diffusing signal light by employing unique direct-diffusion system.
- Material : Lens-AS, Body-ABS, Reflector-Heat Resisting ABS
- Volume : Buzzer(Optional) Type : 90dB/1m
- RPM : 120-140 (Controllable) ▪ Protection Class : IP23

### 2 Specification

Model	Rated Voltage	Current	Weight	RPM	Color
S80LR	DC12V	0.200A	0.34Kg	120-140/Min.	Red-R Amber-A Green-G Blue-B
	DC24V	0.102A	0.34Kg		
	AC110V	0.049A	0.52Kg		
	AC220V	0.025A	0.52Kg		

### 3 External View Drawing

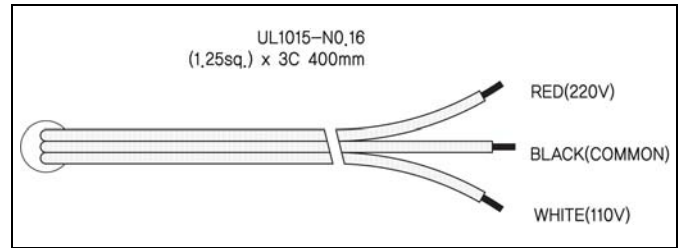


### 4 Wiring Instruction

Power line UL1015-NO.16(1.25sq) x 2C 400mm comes out from the product.

#### 1) Product Using AC Voltage

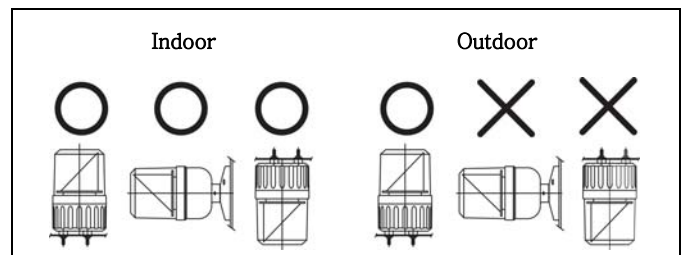
- AC110V Type : Wire Black Line-White Line
- AC220V Type : Wire Black Line-Red Line



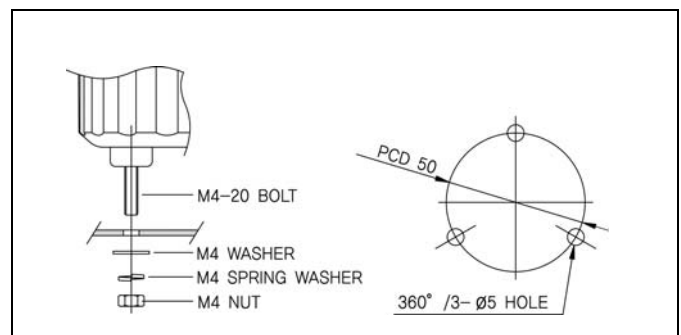
#### 2) Product Using DC Voltage

- Black Line is negative(-).

### 5 Mounting



- This product was manufactured with the structure for indoor use. Installing in any direction is okay for indoor use.
- Outdoor use is limited at a place where no water or very little water percolates. Mounting also should be done only with vertical standing shape.
- Mount at the place where exists low vibration, low impact, low moisture and low dust as long as possible.
- Refer to below information and drill necessary mounting holes on profitable part of the product.  
(Make sure PCD from external view drawing.)
- **S80LR** : Fix the product by using nuts(M4-3EA) originally equipped on mounting bolt on bottom of the product.
- **S80LRK** : Fix the product by using separate mounting bolts and nuts(M5-3EA).



## 6 Caution

- If using voltage is seriously higher or lower than rated voltage, it can reduce the self-life of the product or can cause a problem on product operating. Make sure the using voltage does not exceed +/- 5% of the rated voltage.
- If lens or body of the product is contaminated by chemicals such as thinner, benzene, the product can be damaged, discolored or deformed. Please be careful.
- Do not give strong impact to the product. It can be a reason of wire disconnection or short circuit.
- Do not strongly pull the wire out from the product. It can cause a disorder.

## 7 Troubleshooting

Situation	Main Cause	Solution
Non- Lighting Partly	LED is Partly Damaged Supplying Higher Voltage than Rated Voltage	Making Sure Using Voltage
Feeble Lighting Low Revolving Speed	Supplying Voltage Lower than Rated Voltage	Making Sure Using Voltage
	Wrong operating Voltage Selection Switch (AC Voltage Type)	Checking Voltage Selection Switch
Non Revolving	Problem with Motor	Contact Q.Light or Their Agent
Neither Lighting Nor Revolving	Wrong Wiring	Making Sure Wiring
	No Power Supply	Making Sure Power Supply

### — For A/S & Information on Product

#### Q-LIGHT CO., LTD.

<http://www.qlightkr.com>

E-mail : [qlightkr@qlightkr.com](mailto:qlightkr@qlightkr.com)

#### Seoul Office (Domestic Sales & A/S)

Tel) 02-2679-6152

Ansung BD A-312, 410-13 Sindorim-Dong, Guro-Gu, Seoul

#### Overseas Marketing Team / Plant

Tel) 055-328-4082 Fax) 055-328-4083

Plant #1 : 178-1 Woogye-Ri, Sangdong-Myun, Kimhae-Si, KyungNam, Korea

Plant #2 : 417-1 Geumsa-Dong, Geumjung-Gu, Busan