

S80L / S80LK

OPERATING MANUAL
LED Steady/Flashing Light

Thank you for purchasing Q.Light product.
Please read this manual carefully before installing this system for safe and long use of the product.

1 Product Feature

- Long self-life of light source by employing high-brightness LED and suitable for machines having lots of vibration and impact..
- Excellent in diffusing signal light by employing unique direct-diffusion system.
- Possible to select “steady light” or “flashing light” by using built-in steady/flashing selection switch according to the purpose of use.
- Material : Lens-AS, Body-ABS ▪ Protection Class : IP23
- Flashes(Flashing Type) : 60-80/Min.

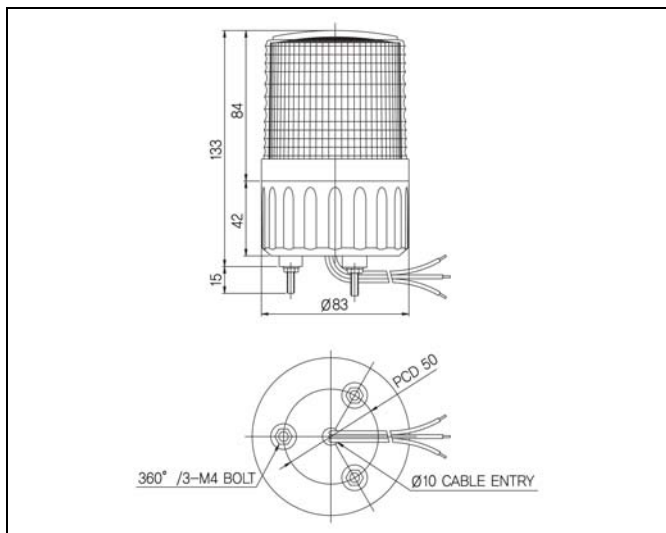
2 Specification & External View Drawing

1) S80L

▪ **General Specification**

Model	Rated Voltage	Current	Weight	Flashes	Color
S80L	DC12V	0.090A	0.21Kg	60-80/Min.	Red-R
	DC24V	0.080A	0.21Kg		Amber-A
	AC110V	0.042A	0.38Kg		Green-G
	AC220V	0.021A	0.38Kg		Blue-B

▪ **External View Drawing**

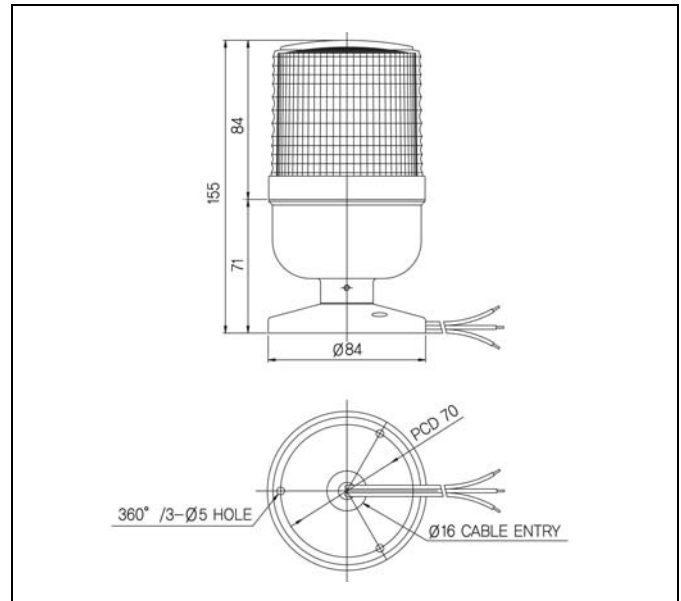


2) S80LK

▪ **General Specification**

Model	Rated Voltage	Current	Weight	Flashes	Color
S80LK	DC12V	0.090A	0.34Kg	60-80/Min.	Red-R
	DC24V	0.090A	0.34Kg		Amber-A
	AC110V	0.042A	0.51Kg		Green-G
	AC220V	0.021A	0.51Kg		Blue-B

▪ **External View Drawing**

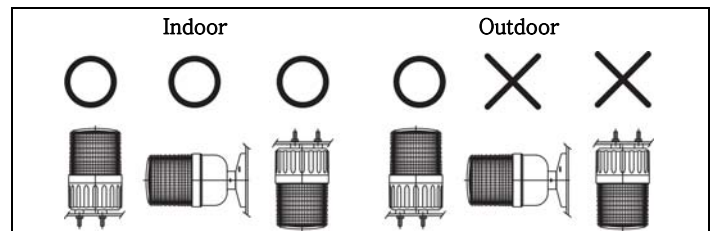


3 Wiring Instruction

Power line UL1015-NO.16(1.25sq) x 2C 400mm comes out from the product.

- In case of product using AC voltage, connect the line without polarity(wire color).
- In case of product using DC voltage, black line is negative(-).

4 Mounting

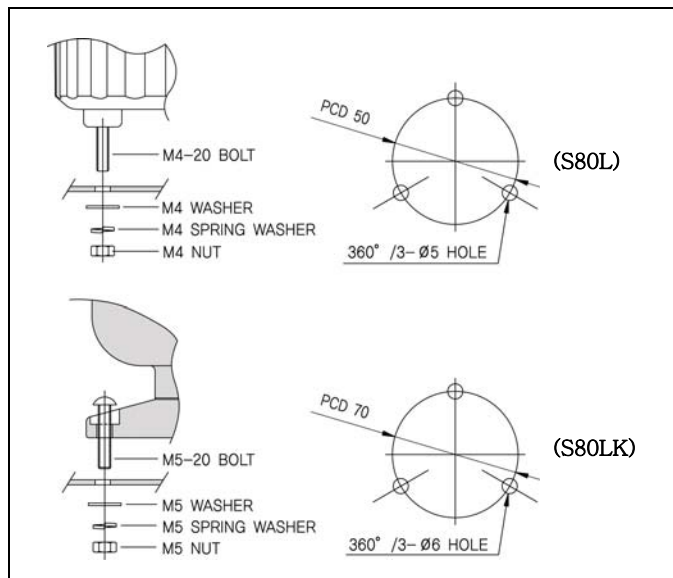


- This product was manufactured with the structure for indoor use. Installing in any direction is okay for indoor use.
- Outdoor use is limited at a place where no water or very little water percolates. Mounting also should be done only with vertical standing shape.
- Mount at the place where exists low vibration, low impact, low moisture and low dust as long as possible.
- Refer to below information and drill necessary mounting holes on

profitable part of the product.

(Make sure PCD from external view drawing.)

- **S80L** : Fix the product by using nuts(M4-3EA) originally equipped on mounting bolt on bottom of the product.
- **S80LK** : Fix the product by using nuts(M5-3EA) originally equipped on mounting bolt on bottom of the product.



5 Steady / Flashing Selection

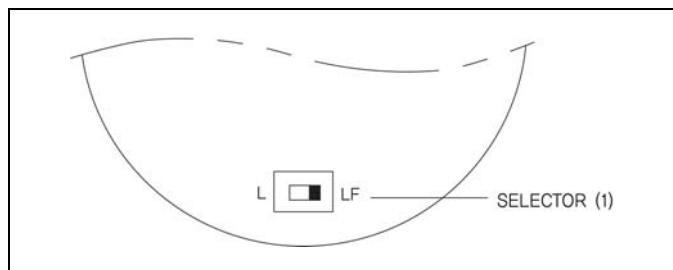
This product has a built-in switch(1) on assembling board for steady/flashing selection. Refer to following drawing and explanation for right operating.

1) Lens Removal

Remove lens by turning it counterclockwise and make sure related parts on assembling board.

2) Selecting Steady/Flashing Type

Choose steady light or flashing light by using Steady/Flashing selection switch(1). "L" mode of the switch is steady type and "LF" mode is flashing type.



3) Lens Assembling

Assemble the product in reverse order of separating.

6 Caution

- If using voltage is seriously higher or lower than rated voltage, it can reduce the self-life of the product or can cause a problem on product operating. Make sure the using voltage does not exceed +/- 5% of the rated voltage.
- If lens or body of the product is contaminated by chemicals such as thinner, benzene, the product can be damaged, discolored or deformed. Please be careful.
- Do not give strong impact to the product. It can be a reason of wire disconnection or short circuit.
- Do not strongly pull the wire out from the product. It can cause a disorder.

7 Troubleshooting

Situation	Main Cause	Solution
Non- Lighting Partly	LED is Partly Damaged Supplying Higher Voltage than Rated Voltage	Making Sure Using Voltage
Feeble Lighting	Supplying Voltage Lower Than Rated Voltage	Making Sure Using Voltage
Lighting but Non-Flashing	Wrong Operating L/LF Selection Switch Problem L/LF Selection Switch	Convert L/LF Selection Switch Contact Q.Light or Their Agent
Neither Lighting nor Flashing	Wrong Wiring	Making Sure Wiring
	No Power Supply	Making Sure Power Supply

— For A/S & Information on Product

Q-LIGHT CO., LTD.

http://www.qlightkr.com

E-mail : qlightkr@qlightkr.com

Seoul Office (Domestic Sales & A/S)

Tel) 02-2679-6152

Ansung BD A-312, 410-13 Sindorim-Dong, Guro-Gu, Seoul

Overseas Marketing Team / Plant

Tel) 055-328-4082 Fax) 055-328-4083

Plant #1 : 178-1 Woogye-Ri, Sangdong-Myun, Kimhae-Si, KyungNam, Korea

Plant #2 : 417-1 Geumsa-Dong, Geumjung-Gu, Busan