

### S80S / S80AS

#### OPERATING MANUAL Xenon Lamp Strobe Light

Thank you for purchasing Q.Light product.  
Please read this manual carefully before installing this system  
for safe and long use of the product.

### 1 Product Feature

- A product radiating strong strobe signal by xenon lamp and it is suitable for a bright place and for the transmission of signal from a distance.
- Lamp of connector type whose replacement is easy and simple.
- Material : Lens-AS, Body-ABS
- Flashes : 65-95/Min.
- Protection Class : S80S-IP23, S80AS-IP44

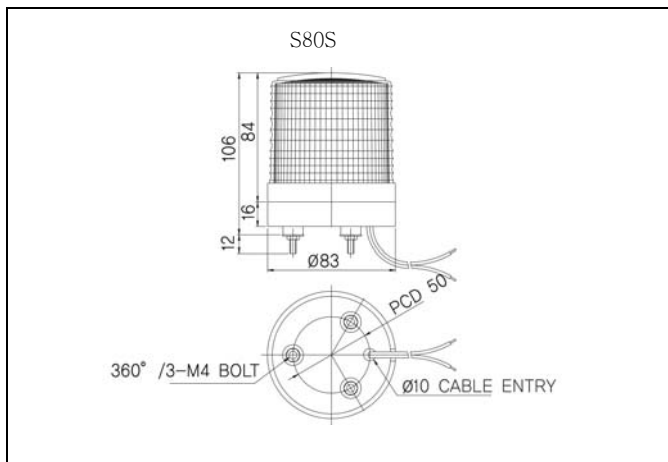
### 2 Specification & External View Drawing

#### 1) S80S

##### ▪ General Specification

Model	Rated Voltage	Current	Weight	Flashes	Color
S80S	DC12V	0.550A	0.22Kg	60-80/Min.	Red-R
	DC24V	0.480A	0.22Kg		Amber-A
	AC110V	0.065A	0.20Kg		Green-G
	AC220V	0.056A	0.20Kg		Amber-B

##### ▪ External View Drawing

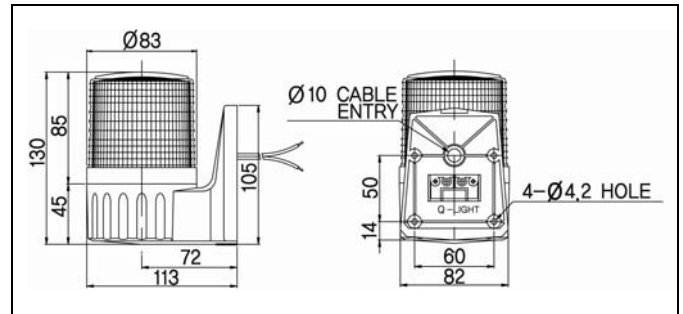


#### 1) S80AS

##### ▪ General Specification

Model	Rated Voltage	Current	Weight	Flashes	Color
S80AS	DC12V	0.550A	0.49Kg	60-80/Min.	Red-R
	DC24V	0.480A	0.49Kg		Amber-A
	AC110V	0.065A	0.68Kg		Green-G
	AC220V	0.056A	0.68Kg		Blue-B

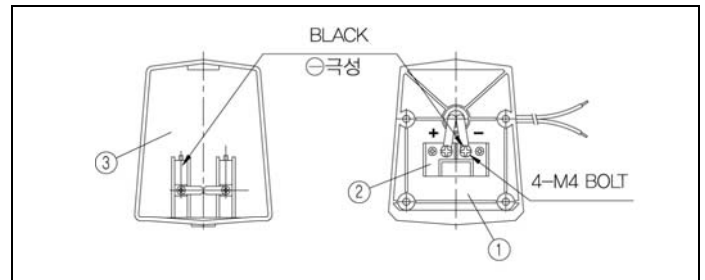
##### ▪ External View Drawing



### 3 Wiring Instruction

Power line UL1015-NO.16(1.25sq) x 2C 400mm comes out from the product.

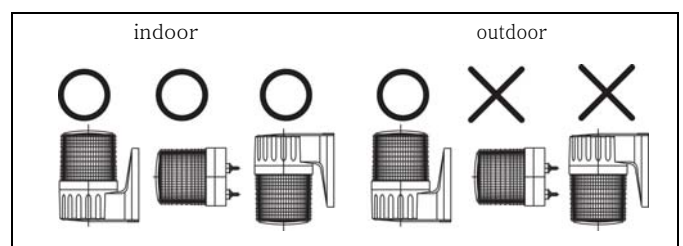
- In case of product using AC voltage, connect the line without polarity(wire color).
- In case of product using DC voltage, black line is negative(-).



- If mounting is completed, power is supplied to body③ through terminal plate② on mounting bracket①.

### 4 Mounting

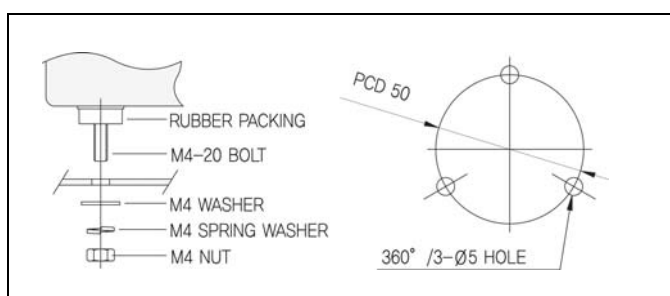
- This product was manufactured with the structure for indoor use. Installing in any direction is okay for indoor use.
- Outdoor use is limited at a place where no water or very little water percolates. Mounting also should be done only with vertical standing shape.



- This product was manufactured with the structure for indoor use. Installing in any direction is okay for indoor use.
- Outdoor use is limited at a place where no water or very little water percolates. Mounting also should be done only with vertical standing shape.
- Mount at the place where exists low vibration, low impact, low moisture and low dust as long as possible.
- Refer to below information and drill necessary mounting holes on profitable part of the product.  
(Make sure PCD from external view drawing.)

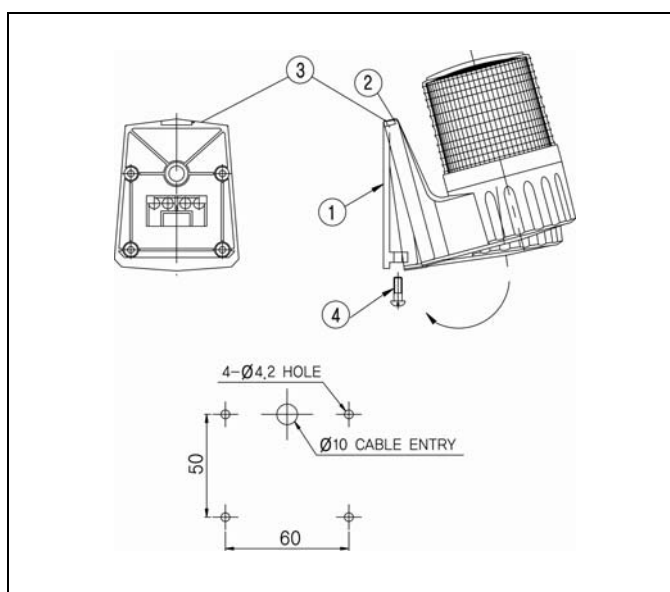
### 1) S80S

- Fix the product by using nuts(M4-3EA) originally equipped on mounting bolt on bottom of the product.



### 2) S80AS

- Stick the bracket① by using another extra bolt(M4-4EA).
- Refer to wiring instruction and connect power line.
- Hang the upper projecting part② of mounting surface of the product on the groove③ of the bracket. Then, push it until "click" is heard.
- Lock the bracket by fastening bolt④(M4 1EA) at the element's base of the body.



## 5) Lamp Change

### 1) Warning ! Turn off Power

Must turn off power supply and change the bulb after at least 1 minute.

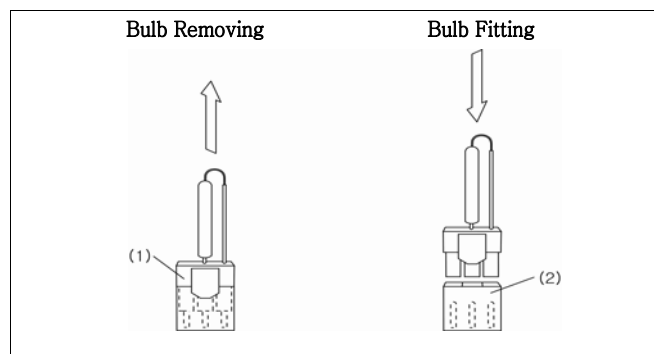
- Xenon lamp emits superheat while it is operating. Do not touch the lamp until it gets fully cool. Earlier touch can cause burns on hand or body. **Be careful !**
- Xenon lamp is operating with high voltage. Do not touch lamp or assembling board without turning off power. It can cause an electrical shock.

### 2) Lens Removal

Remove lens by turning it counterclockwise and make sure lamp and flashing selection switch on assembling board.

### 3) Lamp Change

- Xenon lamp is a connector type. Pull up the lamp for removal.
- Insert the connector pin correctly into the groove for assembling by referring following drawing.



### 4) Lens Assembling

Assemble the product in reverse order of separating.

## 6) Caution

- If using voltage is seriously higher or lower than rated voltage, it can reduce the self-life of the product or can cause a problem on product operating. Make sure the using voltage does not exceed +/- 5% of the rated voltage.
- If lens or body of the product is contaminated by chemicals such as thinner, benzene, the product can be damaged, discolored or deformed. Please be careful.
- Do not give strong impact to the product. It can be a reason of wire disconnection or short circuit.
- Do not strongly pull the wire out from the product. It can cause a disorder.

7 Troubleshooting

Situation	Main Cause	Solution
Non Lighting	Damage on Lamp	Change Lamp
	Untied Lamp Connector	Re-join Lamp Connector
	No Power Supply	Make Sure Power Supply
Irregular Strobe Operating	Supplying Voltage Lower than Rated Voltage	Make Sure Using Voltage

— For A/S & Information on Product

**Q-LIGHT CO., LTD.**

<http://www.qlightkr.com>

E-mail : [qlightkr@qlightkr.com](mailto:qlightkr@qlightkr.com)

**Seoul Office (Domestic Sales & A/S)**

Tel) 02-2679-6152

Ansung BD A-312, 410-13 Sindorim-Dong, Guro-Gu, Seoul

**Overseas Marketing Team / Plant**

Tel) 055-328-4082 Fax) 055-328-4083

Plant #1 : 178-1 Woogye-Ri, Sangdong-Myun, Kimhae-Si, KyungNam, Korea

Plant #2 : 417-1 Geumsa-Dong, Geumjung-Gu, Busan