

S50B/S60B(F)/S80B(F)/S100B(F)/S125B(F) SERIES

OPERATING MANUAL

Bulb Steady/Flashing Light

Thank you for purchasing Q.Light product.
Please read this manual carefully before installing this system for safe and long use of the product.

1 Product Feature

- High visibility thanks to employing special diffusion lens.
- Material : Lens-AS, Body-ABS
- Flashes(Steady/Flashing Type) : 60-80/Min.
- Protection Class : IP23

2 Specification & External View Drawing

1) S50B

• General Specification

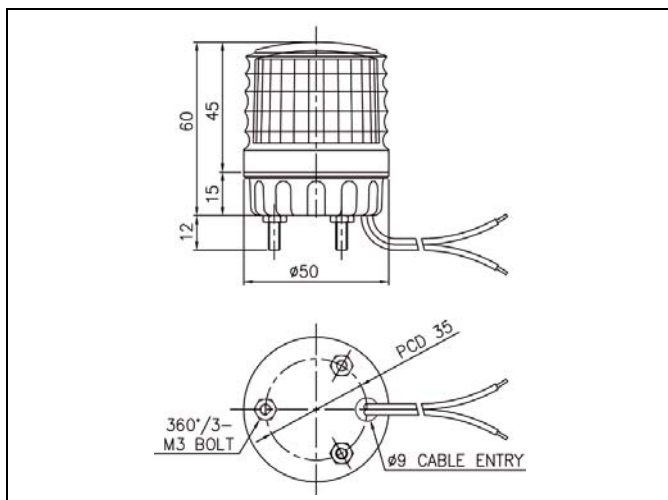
Model	Rated Voltage	Current	Bulb		Weight	Color
S50B	DC12V	0.357A	12V5W	G14 9S	1	0.08Kg
	DC24V	0.185A	24V5W	G14 9S	2	0.08Kg
	AC110V	0.042A	110V5W	T16x28 9S	3	0.08Kg
	AC220V	0.021A	220V5W	T16x28 9S	4	0.08Kg
						Red-R Amber-A Green-G Blue-B

2) S60B / S60BF / S80B / S80BF

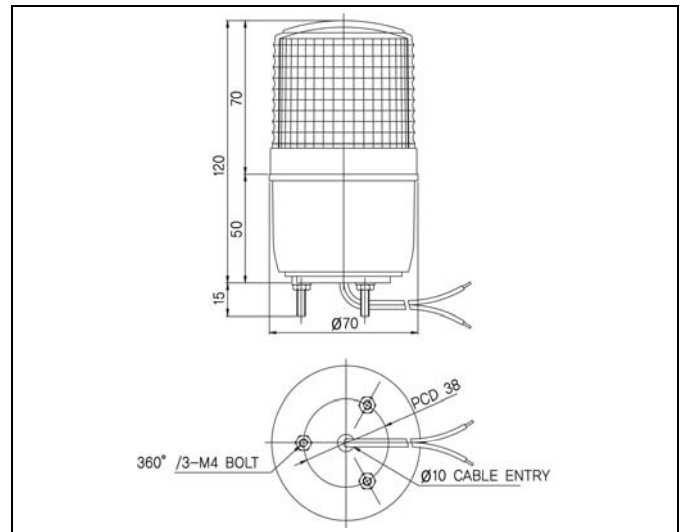
• General Specification

Model	Rated Voltage	Current	Bulb		Weight	Color
S60B S60BF	DC12V	0.357A	12V5W	T16x35 15S	5	0.26Kg
	DC24V	0.185A	24V5W	T16x35 15S	6	
S80B S80BF	AC110V	0.042A	110V5W	T16x35 15S	7	0.28Kg
	AC220V	0.021A	220V5W	T16x35 15S	8	
						Red-R Amber-A Green-G Blue-B

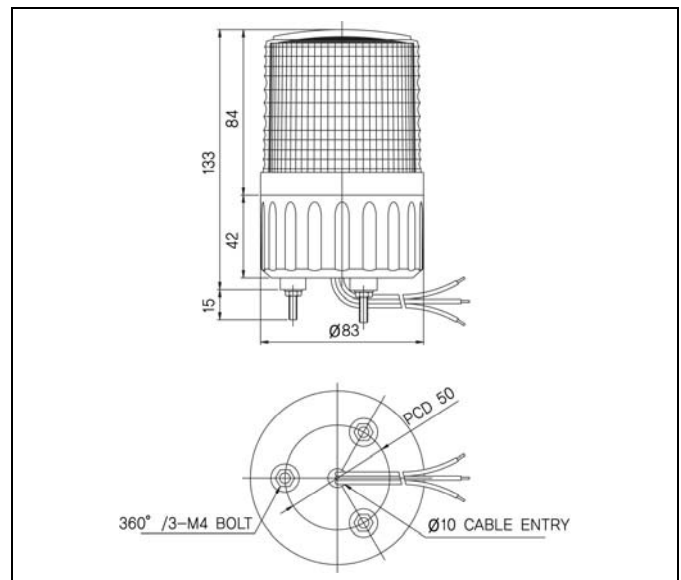
■ S50B – External View Drawing



■ S60B / S60BF – External View Drawing



■ S80B / S80BF – External View Drawing

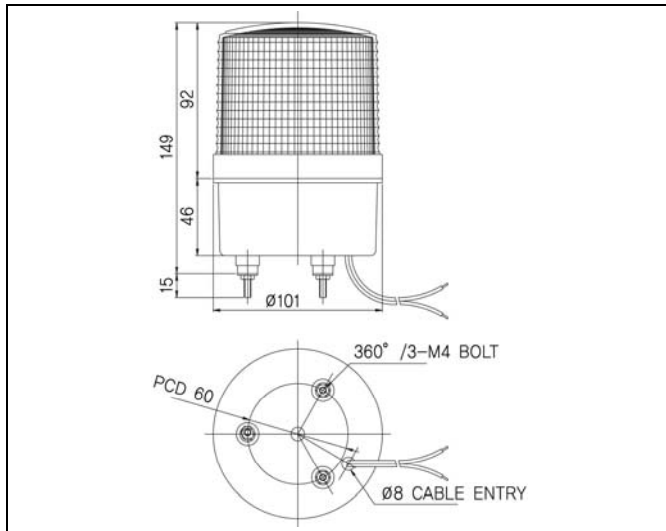


3) S100B / S100BF / S125B / S125BF

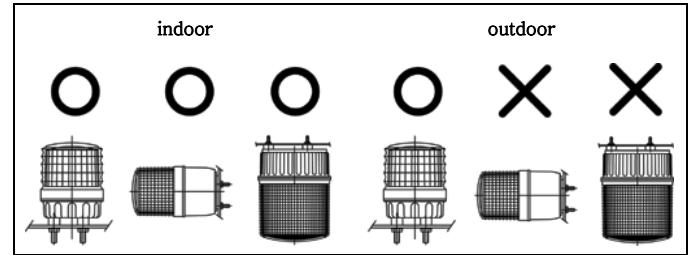
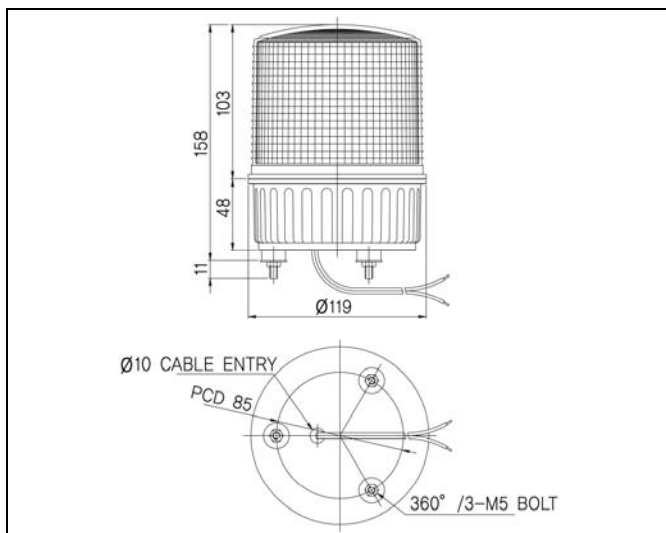
• General Specification

Model	Rated Voltage	Current	Bulb		Weight	Color
S100B S100BF	DC12V	0.830A	12V10W	T16x35 15S	9	0.37Kg
	DC24V	0.420A	24V10W	T16x35 15S		
S125B S125BF	AC110V	0.090A	12V10W	T16x35 15S	9	0.66Kg
	AC220V	0.045A	12V10W	T16x35 15S		
						Red-R Amber-A Green-G Blue-B

■ S100B / S100BF – External View Drawing



■ S125B / S125BF – External View Drawing



- Mount at the place where exists low vibration, low impact, low moisture and low dust as long as possible.
- Refer to below information and drill necessary mounting holes on profitable part of the product.
(Make sure PCD from external view drawing.)
- **S50B Type** : Fix the product by using nuts(M3-3EA) originally equipped on mounting bolt on bottom of the product.
- **S60B(F)/S80B(F)/S100B(F) Type** : Fix the product by using nuts (M4-3EA) originally equipped on mounting bolt on bottom of the product.
- **S125B(F) Type** : Fix the product by using nuts(M5-3EA) originally equipped on mounting bolt on bottom of the product.

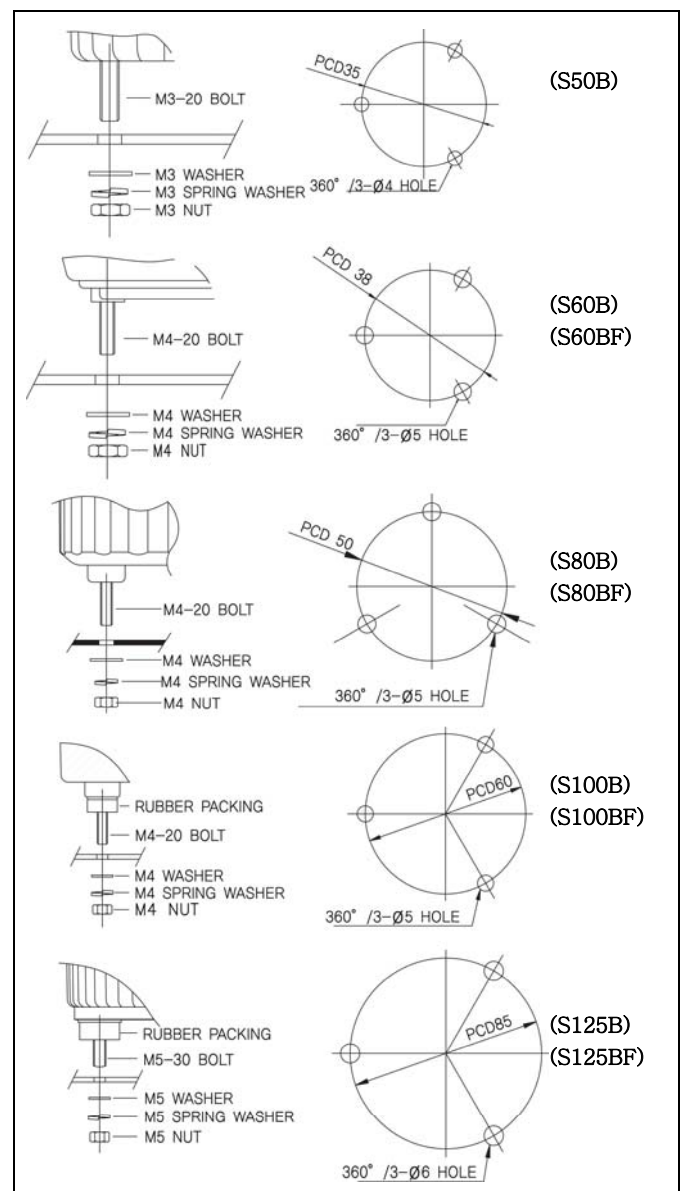
3 Wiring Instruction

Power line UL1015-NO.16(1.25sq) x 2C 400mm comes out from the product.

- In case of product using AC voltage, connect the line without polarity(wire color).
- In case of product using DC voltage, black line is negative(-).

4 Mounting

- This product was manufactured with the structure for indoor use. Installing in any direction is okay for indoor use.
- Outdoor use is limited at a place where no water or very little water percolates. Mount also should be done only with vertical standing shape.



5 Bulb Change

1) Warning ! Turn off Power

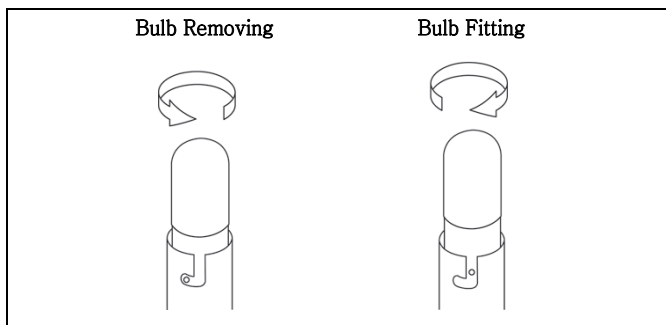
Must turn off power supply and change the bulb after at least 1 minute.

2) Lens Removal

Remove lens by turning it counterclockwise and make sure related parts on assembling board

3) Bulb Change

- Make sure the rated voltage and wattage of new bulb. If the voltage of new bulb is higher than that of original bulb, the self-life of product can be reduced and can cause damage on lens and reflector. Therefore, please use same bulb as original one which has same rated voltage and wattage or lower one.
- Bulb Removal : Press slightly the bulb downward and turn it counterclockwise for removing.
- Bulb Fitting : Fit new bulb into the socket by pressing it clockwise.



3) Assemble the product in reverse order of separating.

6 Caution

- When wiring is complete, make sure end of any unused wires are insulated by tape. A short circuit of signal line can cause a trouble.
- If using voltage is seriously higher or lower than rated voltage, it can reduce the self-life of the product or can cause a problem on product operating. Make sure the using voltage does not exceed +/- 5% of the rated voltage.
- If lens or body of the product is contaminated by chemicals such as thinner, benzene, the product can be damaged, discolored or deformed. Please be careful.
- Do not give strong impact to the product. It can be a reason of wire disconnection or short circuit.
- Do not strongly pull the wire out from the product. It can cause a disorder.

7 Troubleshooting

Situation	Main Cause	Solution
Non-Lighting	Wire Disconnection with Bulb	Wire Re-connection or Bulb Change
Feeble Lighting	Supplying Voltage Lower than Rated Voltage	Making Sure Using Voltage
Short Self-Life of Bulb	Supplying Voltage Higher than Rated Voltage	Making Sure Using Voltage
Lens Deformation Caused by Bulb Overheating (AC Type)	The Voltage of Bulb is Higher than Rated Voltage	Changing Bulb with Rated Voltage
Lighting but Non Flashing (Steady/Flashing Type)	Wrong Wiring	Making Sure Wiring

— For A/S & Information on Product

Q-LIGHT CO., LTD.

<http://www.qlightkr.com>

E-mail : qlightkr@qlightkr.com

Seoul Office (Domestic Sales & A/S)

Tel) 02-2679-6152

Ansung BD A-312, 410-13 Sindorim-Dong, Guro-Gu, Seoul

Overseas Marketing Team / Plant

Tel) 055-328-4082 Fax) 055-328-4083

Plant #1 : 178-1 Woogye-Ri, Sangdong-Myun, Kimhae-Si, KyungNam, Korea

Plant #2 : 417-1 Geumsa-Dong, Geumjung-Gu, Busan